

# Beta 57A Dynamic Instrument Microphone (Supercardioid)

## Overview

The Beta 57A provides a warm, tailored and present sound for amplified or acoustic instruments. A tight supercardioid polar pattern provides high gain-before-feedback and maximum sound isolation, with minimum off-axis tone colouration.

## Features

- Uniform supercardioid polar pattern for high gain-before-feedback and superior rejection of off-axis sound
- Neodymium magnet for high signal-to-noise ratio output
- Advanced pneumatic shock-mount system that minimises transmission of mechanical noise and vibration
- Hardened steel mesh grille that facilitates use of proximity effect and resists wear and abuse
- Minimally affected by varying load impedance

## Specifications

<b>Type</b>	Dynamic
<b>Frequency Response</b>	50 Hz to 16 kHz
<b>Polar Pattern</b>	Supercardioid
<b>Impedance</b>	290 Ω
<b>Sensitivity</b> (at 1 kHz, open circuit voltage)	-51 dB/Pa (2.8 mV/PA)
<b>Polarity</b>	Positive pressure on diaphragm produces positive voltage on pin 2 with respect to pin 3
<b>Weight</b>	275 g
<b>Connector</b>	Three-pin professional audio (XLR), male

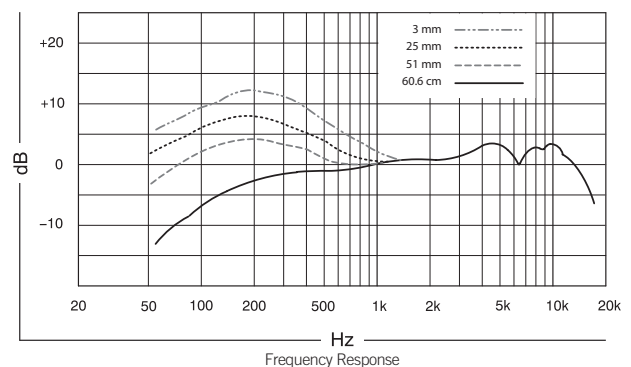
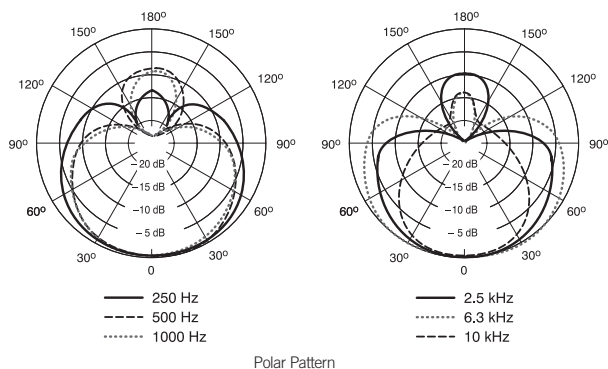


Beta 57A

## Accessories and Replacement Parts

<b>A25D</b> Adjustable Stand Adapter*	<b>95A2314</b> Storage Bag*	<b>95A2050</b> 5/8" to 3/8" Thread Adapter*	<b>A57AWS</b> Windscreen
---------------------------------------	-----------------------------	---	--------------------------

\* included in delivery



**SHURE**<sup>®</sup>  
LEGENDARY  
PERFORMANCE™